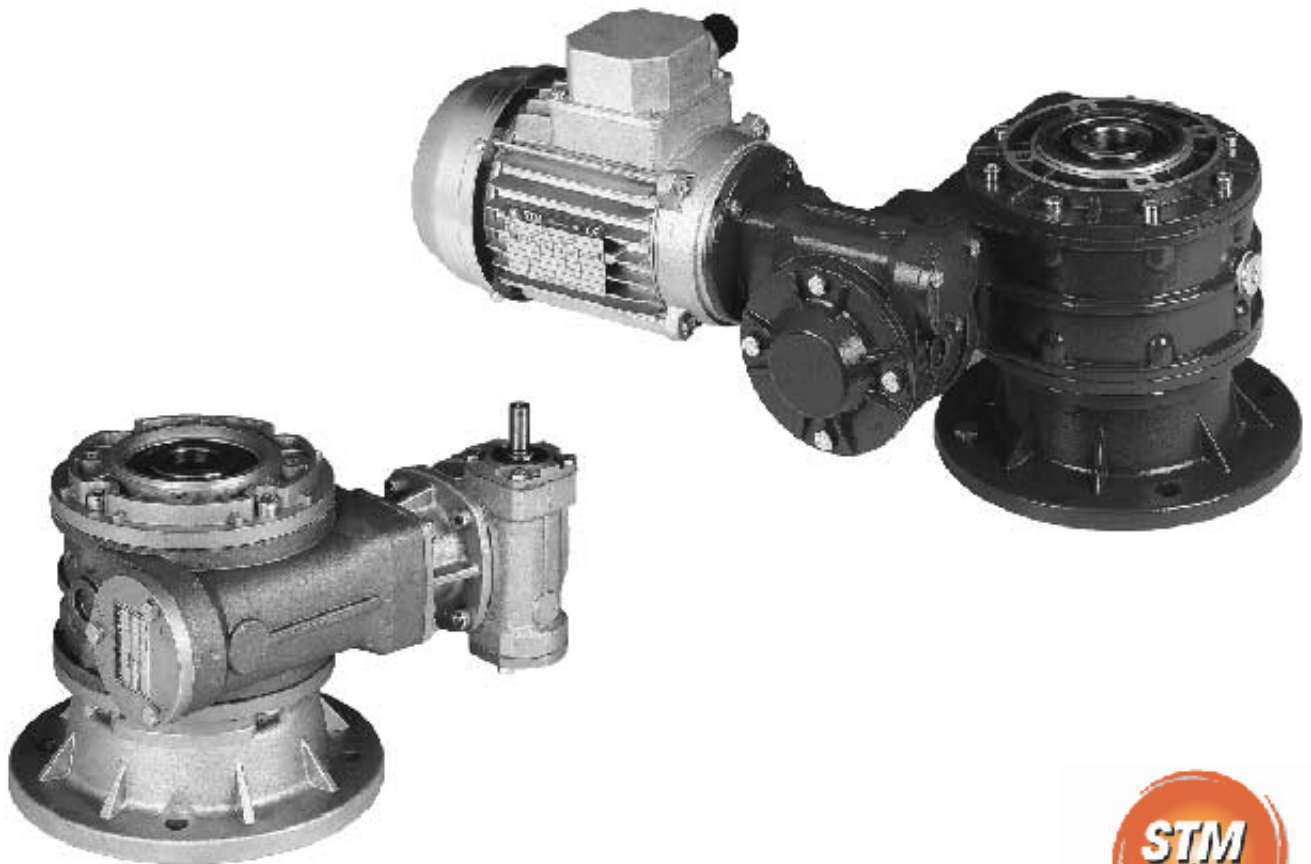


3.0 RIDUTTORI A VITE SENZA FINE COMBINATI
COMBINED WORM GEARBOXES
KOMBINIERTE SCHNECKENGETRIEBE

CRI
CRMI

3.7	Prestazioni riduttori	Gearboxes performances	Leistungen der Getriebe	46
3.8	Prestazioni motoriduttori	Gearmotors performances	Leistungen der Getriebemotoren	52
3.9	Dimensioni	Dimensions	Abmessungen	55
3.10	Gioco ridotto	Low backlash	Spielarme Getriebe	62
3.11	Accoppiamenti	Coupling	Kupplung	62
3.12	Accessori	Accessories	Zubehör	63





3.7 Prestazioni riduttori CRI

3.7 CRI gearboxes performances

3.7 Leistungen der CRI-Getriebe

CRI 28/28

Kg 2.8

ir	i ₁ x _{i2}	n ₁ = 1400 min ⁻¹				IEC
		n ₂ min ⁻¹	T _{2M} Nm	P kW	RD %	
140	7x20	10.0	25	0.05	52	63 - 56 - 50
200	10x20	7.0	25	0.04	49	
280	10x28	5.0	25	0.03	42	
400	20x20	3.5	25	0.02	44	
600	15x40	2.3	25	0.02	35	
980	49x20	1.4	25	0.01	33	
1372	49x28	1.0	25	0.01	27	56 - 50
1960	49x40	0.7	25	0.01	25	
2800	70x40	0.5	25	0.01	21	
4000	100x40	0.4	25	0.01	17	
5600	100x56	0.3	25	0.01	15	
7000	100x70	0.2	20	0.01	14	
8000	100x80	0.2	16	0.01	11	
10000	100x100	0.1	12	0.01	11	

CRI 28/40

Kg 3.5

ir	i ₁ x _{i2}	n ₁ = 1400 min ⁻¹				IEC
		n ₂ min ⁻¹	T _{2M} Nm	P kW	RD %	
140	7x20	10.0	60	0.12	51	63 - 56 - 50
200	10x20	7.0	60	0.09	49	
280	10x28	5.0	60	0.07	43	
400	20x20	3.5	60	0.05	43	
600	15x40	2.3	60	0.04	33	
980	49x20	1.4	60	0.03	32	
1372	49x28	1.0	60	0.02	28	56 - 50
1960	49x40	0.7	60	0.02	23	
2800	70x40	0.5	60	0.02	20	
4000	100x40	0.4	60	0.01	16	
5600	100x56	0.3	60	0.01	14	
7000	100x70	0.2	50	0.01	11	
8000	100x80	0.2	45	0.01	10	
10000	100x100	0.1	35	0.01	11	

CRI 40/40

Kg 4.2

ir	i ₁ x _{i2}	n ₁ = 1400 min ⁻¹				IEC
		n ₂ min ⁻¹	T _{2M} Nm	P kW	RD %	
140	7x20	10.0	60	0.12	52	71 - 63 - 56
200	10x20	7.0	60	0.09	50	
280	10x28	5.0	60	0.07	45	
400	20x20	3.5	60	0.05	44	
600	15x40	2.3	60	0.04	34	
980	49x20	1.4	60	0.03	33	
1372	49x28	1.0	60	0.02	29	63 - 56
1960	49x40	0.7	60	0.02	23	
2800	70x40	0.5	60	0.02	19	
4000	100x40	0.4	60	0.01	18	
5600	100x56	0.3	60	0.01	16	
7000	100x70	0.2	50	0.01	12	
8000	100x80	0.2	45	0.01	11	
10000	100x100	0.1	35	0.01	13	

CRI 28/50

Kg 5.2

ir	i ₁ x _{i2}	n ₁ = 1400 min ⁻¹				IEC
		n ₂ min ⁻¹	T _{2M} Nm	P kW	RD %	
140	7x20	10.0	100	0.19	54	63 - 56 - 50
200	10x20	7.0	100	0.14	52	
280	10x28	5.0	100	0.11	46	
400	20x20	3.5	100	0.08	46	
600	15x40	2.3	100	0.06	38	
980	49x20	1.4	100	0.04	35	
1372	49x28	1.0	100	0.04	30	56 - 50
1960	49x40	0.7	100	0.03	27	
2800	70x40	0.5	100	0.02	24	
4000	100x40	0.4	100	0.02	19	
5600	100x56	0.3	100	0.02	17	
7000	100x70	0.2	100	0.01	15	
8000	100x80	0.2	75	0.01	13	
10000	100x100	0.1	60	0.01	12	

CRI 40/50

Kg 5.9

ir	i ₁ x _{i2}	n ₁ = 1400 min ⁻¹				IEC
		n ₂ min ⁻¹	T _{2M} Nm	P kW	RD %	
140	7x20	10.0	100	0.19	56	71 - 63 - 56
200	10x20	7.0	100	0.14	53	
280	10x28	5.0	100	0.11	47	
400	20x20	3.5	100	0.08	47	
600	15x40	2.3	100	0.06	39	
980	49x20	1.4	100	0.04	35	
1372	49x28	1.0	100	0.04	30	63 - 56
1960	49x40	0.7	100	0.03	27	
2800	70x40	0.5	100	0.02	23	
4000	100x40	0.4	100	0.02	21	
5600	100x56	0.3	100	0.01	18	
7000	100x70	0.2	100	0.01	17	
8000	100x80	0.2	75	0.01	14	
10000	100x100	0.1	76	0.01	13	

CRI 28/63

Kg 7.4

ir	i ₁ x _{i2}	n ₁ = 1400 min ⁻¹				IEC
		n ₂ min ⁻¹	T _{2M} Nm	P kW	RD %	
140	7x20	10.0	210	0.39	56	63 - 56 - 50
200	10x20	7.0	226	0.31	53	
280	10x28	5.0	230	0.26	46	
400	20x20	3.5	186	0.16	46	
600	15x40	2.3	230	0.15	38	
980	49x20	1.4	193	0.08	35	
1372	49x28	1.0	218	0.08	29	56
1960	49x40	0.7	230	0.06	27	
2800	70x40	0.5	230	0.05	23	
4000	100x40	0.4	190	0.04	19	
5600	100x56	0.3	230	0.04	17	
7000	100x70	0.2	220	0.03	15	
8000	100x80	0.2	200	0.03	14	
10000	100x100	0.1	140	0.02	12	

3.7 Prestazioni riduttori CRI
3.7 CRI gearboxes performances
3.7 Leistungen der CRI-Getriebe
CRI 40/63

8.1

ir	i ₁ x _i ₂	n ₁ = 1400 min ⁻¹				IEC
		n ₂ min ⁻¹	T _{2M} Nm	P kW	RD %	
140	7x20	10.0	230	0.42	57	71 - 63 - 56
200	10x20	7.0	230	0.31	54	
280	10x28	5.0	230	0.26	47	
400	20x20	3.5	230	0.18	47	
600	15x40	2.3	230	0.14	39	
980	49x20	1.4	230	0.10	36	
1372	49x28	1.0	230	0.08	30	63 - 56
1960	49x40	0.7	230	0.06	27	
2800	70x40	0.5	230	0.05	22	
4000	100x40	0.4	230	0.04	21	
5600	100x56	0.3	230	0.03	18	
7000	100x70	0.2	220	0.03	17	
8000	100x80	0.2	200	0.02	15	
10000	100x100	0.1	140	0.02	14	

CRI 28/70

14.4

ir	i ₁ x _i ₂	n ₁ = 1400 min ⁻¹				IEC
		n ₂ min ⁻¹	T _{2M} Nm	P kW	RD %	
140	7x20	10.0	207	0.39	55	63 - 56 - 50
200	10x20	7.0	226	0.31	53	
280	10x28	5.0	270	0.31	45	
400	20x20	3.5	196	0.16	46	
600	15x40	2.3	290	0.19	38	
980	49x20	1.4	186	0.08	35	
1372	49x28	1.0	214	0.08	29	56 - 50
1960	49x40	0.7	282	0.08	26	
2800	70x40	0.5	282	0.06	26	
4000	100x40	0.4	184	0.04	19	
5600	100x56	0.3	224	0.04	16	
7000	100x70	0.2	246	0.04	14	
8000	100x80	0.2	256	0.04	13	
10000	100x100	0.1	190	0.02	12	

CRI 40/70

16.1

ir	i ₁ x _i ₂	n ₁ = 1400 min ⁻¹				IEC
		n ₂ min ⁻¹	T _{2M} Nm	P kW	RD %	
140	7x20	10.0	266	0.49	56	71 - 63 - 56
200	10x20	7.0	290	0.39	54	
280	10x28	5.0	290	0.33	46	
400	20x20	3.5	290	0.23	47	
600	15x40	2.3	290	0.18	39	
980	49x20	1.4	290	0.12	35	
1372	49x28	1.0	290	0.11	29	63 - 56
1960	49x40	0.7	290	0.08	27	
2800	70x40	0.5	290	0.07	22	
4000	100x40	0.4	290	0.05	21	
5600	100x56	0.3	290	0.04	18	
7000	100x70	0.2	290	0.04	16	
8000	100x80	0.2	270	0.03	14	
10000	100x100	0.1	190	0.02	14	

CRI 50/70

16.8

ir	i ₁ x _i ₂	n ₁ = 1400 min ⁻¹				IEC
		n ₂ min ⁻¹	T _{2M} Nm	P kW	RD %	
140	7x20	10.0	266	0.49	57	80 - 71
200	10x20	7.0	290	0.39	55	
280	10x28	5.0	290	0.32	47	
400	20x20	3.5	290	0.32	49	
600	15x40	2.3	290	0.17	41	
980	49x20	1.4	290	0.11	39	
1372	49x28	1.0	290	0.10	32	71 - 63
1960	49x40	0.7	290	0.07	30	
2800	70x40	0.5	290	0.06	26	
4000	100x40	0.4	290	0.05	22	
5600	100x56	0.3	290	0.04	19	
7000	100x70	0.2	290	0.04	17	
8000	100x80	0.2	270	0.03	15	
10000	100x100	0.1	190	0.02	14	

CRI 63/70

19.0

ir	i ₁ x _i ₂	n ₁ = 1400 min ⁻¹				IEC
		n ₂ min ⁻¹	T _{2M} Nm	P kW	RD %	
140	7x20	10.0	266	0.49	57	90 - 80 - 71
200	10x20	7.0	290	0.38	56	
280	10x28	5.0	290	0.32	47	
400	20x20	3.5	290	0.22	49	
600	15x40	2.3	290	0.17	41	
980	49x20	1.4	290	0.11	40	
1372	49x28	1.0	290	0.09	33	80 - 71
1960	49x40	0.7	290	0.07	30	
2800	70x40	0.5	290	0.06	27	
4000	100x40	0.4	290	0.05	23	
5600	100x56	0.3	290	0.04	20	
7000	100x70	0.2	290	0.03	18	
8000	100x80	0.2	270	0.03	16	
10000	100x100	0.1	190	0.02	15	

CRI 40/85

21

ir	i ₁ x _i ₂	n ₁ = 1400 min ⁻¹				IEC
		n ₂ min ⁻¹	T _{2M} Nm	P kW	RD %	
140	7x20	10.0	460	0.82	59	71 - 63 - 56
200	10x20	7.0	460	0.60	56	
280	10x28	5.0	460	0.52	46	
400	20x20	3.5	460	0.34	49	
600	15x40	2.3	460	0.28	40	
980	49x20	1.4	460	0.19	36	
1372	49x28	1.0	460	0.17	29	63 - 56
1960	49x40	0.7	460	0.13	27	
2800	70x40	0.5	460	0.11	22	
4000	100x40	0.4	460	0.08	21	
5600	100x56	0.3	460	0.06	20	
7000	100x70	0.2	460	0.06	17	
8000	100x80	0.2	460	0.05	16	
10000	100x100	0.1	350	0.04	14	



3.7 Prestazioni riduttori CRI

3.7 CRI gearboxes performances

3.7 Leistungen der CRI-Getriebe

CRI 50/85

Kg 23

ir	i ₁ x _i ₂	n ₁ = 1400 min ⁻¹				IEC
		n ₂ min ⁻¹	T _{2M} Nm	P kW	RD %	
140	7x20	10.0	460	0.81	60	80 - 71
200	10x20	7.0	460	0.60	57	
280	10x28	5.0	460	0.52	47	
400	20x20	3.5	460	0.33	51	
600	15x40	2.3	460	0.27	42	
980	49x20	1.4	460	0.17	40	
1372	49x28	1.0	460	0.16	32	71 - 63
1960	49x40	0.7	460	0.11	30	
2800	70x40	0.5	460	0.09	26	
4000	100x40	0.4	460	0.18	22	
5600	100x56	0.3	460	0.06	21	
7000	100x70	0.2	460	0.05	18	
8000	100x80	0.2	460	0.05	17	
10000	100x100	0.1	350	0.03	15	

CRI 63/85

Kg 25

ir	i ₁ x _i ₂	n ₁ = 1400 min ⁻¹				IEC
		n ₂ min ⁻¹	T _{2M} Nm	P kW	RD %	
140	7x20	10.0	460	0.81	60	90 - 80 - 71
200	10x20	7.0	460	0.59	57	
280	10x28	5.0	460	0.51	47	
400	20x20	3.5	460	0.33	52	
600	15x40	2.3	460	0.27	42	
980	49x20	1.4	460	0.17	41	
1372	49x28	1.0	460	0.15	32	71 - 80
1960	49x40	0.7	460	0.11	31	
2800	70x40	0.5	460	0.09	27	
4000	100x40	0.4	460	0.07	23	
5600	100x56	0.3	460	0.05	22	
7000	100x70	0.2	460	0.05	19	
8000	100x80	0.2	460	0.05	18	
10000	100x100	0.1	350	0.03	16	

CRI 70/85

Kg 32

ir	i ₁ x _i ₂	n ₁ = 1400 min ⁻¹				IEC
		n ₂ min ⁻¹	T _{2M} Nm	P kW	RD %	
140	7x20	10.0	460	0.80	60	100-90-80
200	10x20	7.0	460	0.59	57	
280	10x28	5.0	460	0.51	47	
400	20x20	3.5	460	0.33	52	90 - 80
600	15x40	2.3	460	0.27	42	100-90-80
980	49x20	1.4	460	0.17	41	80 - 71
1372	49x28	1.0	460	0.15	32	
1960	49x40	0.7	460	0.11	31	
2800	70x40	0.5	460	0.09	27	
4000	100x40	0.4	460	0.07	23	
5600	100x56	0.3	460	0.05	22	
7000	100x70	0.2	460	0.05	19	
8000	100x80	0.2	460	0.05	18	
10000	100x100	0.1	350	0.03	16	

CRI 50/110

Kg 42

ir	i ₁ x _i ₂	n ₁ = 1400 min ⁻¹				IEC
		n ₂ min ⁻¹	T _{2M} Nm	P kW	RD %	
140	7x20	10.0	960	1.7	60	80 - 71
200	10x20	7.0	960	1.2	58	
280	10x28	5.0	960	1.0	50	
400	20x20	3.5	960	0.68	52	
600	15x40	2.3	960	0.53	44	
980	49x20	1.4	936	0.34	41	
1372	49x28	1.0	960	0.31	33	71 - 63
1960	49x40	0.7	960	0.23	32	
2800	70x40	0.5	960	0.18	27	
4000	100x40	0.4	960	0.15	24	
5600	100x56	0.3	960	0.12	22	
7000	100x70	0.2	960	0.10	19	
8000	100x80	0.2	860	0.09	18	
10000	100x100	0.1	700	0.06	16	

CRI 63/110

Kg 44

ir	i ₁ x _i ₂	n ₁ = 1400 min ⁻¹				IEC
		n ₂ min ⁻¹	T _{2M} Nm	P kW	RD %	
140	7x20	10.0	960	1.7	60	90 - 80 - 71
200	10x20	7.0	960	1.2	59	
280	10x28	5.0	960	0.99	51	
400	20x20	3.5	960	0.67	52	
600	15x40	2.3	960	0.53	44	
980	49x20	1.4	960	0.35	42	
1372	49x28	1.0	960	0.30	34	80 - 71
1960	49x40	0.7	960	0.22	32	
2800	70x40	0.5	960	0.18	28	
4000	100x40	0.4	960	0.14	25	
5600	100x56	0.3	960	0.11	23	
7000	100x70	0.2	960	0.10	20	
8000	100x80	0.2	860	0.08	19	
10000	100x100	0.1	700	0.06	17	

CRI 70/110

Kg 51

ir	i ₁ x _i ₂	n ₁ = 1400 min ⁻¹				IEC
		n ₂ min ⁻¹	T _{2M} Nm	P kW	RD %	
140	7x20	10.0	960	1.6	61	90 - 80
200	10x20	7.0	960	1.2	59	
280	10x28	5.0	960	0.99	51	
400	20x20	3.5	960	0.67	52	
600	15x40	2.3	960	0.53	44	
980	49x20	1.4	960	0.35	42	
1372	49x28	1.0	960	0.30	34	80 - 71
1960	49x40	0.7	960	0.22	32	
2800	70x40	0.5	960	0.18	28	
4000	100x40	0.4	960	0.14	25	
5600	100x56	0.3	960	0.11	23	
7000	100x70	0.2	960	0.10	20	
8000	100x80	0.2	860	0.08	19	
10000	100x100	0.1	700	0.06	17	

3.7 Prestazioni riduttori CRI
3.7 CRI gearboxes performances
3.7 Leistungen der CRI-Getriebe
CRI 85/110
 57

ir	i ₁ x _i ₂	n ₁ = 1400 min ⁻¹				IEC
		n ₂ min ⁻¹	T _{2M} Nm	P kW	RD %	
140	7x20	10.0	960	1.6	61	112-100- 90
200	10x20	7.0	960	1.2	60	
280	10x28	5.0	960	0.98	51	
400	20x20	3.5	960	0.65	54	
600	15x40	2.3	960	0.53	45	
980	49x20	1.4	960	0.34	42	
1372	49x28	1.0	960	0.30	34	90 - 80
1960	49x40	0.7	960	0.22	33	
2800	70x40	0.5	960	0.17	30	
4000	100x40	0.4	960	0.14	26	
5600	100x56	0.3	960	0.11	24	
7000	100x70	0.2	960	0.09	21	
8000	100x80	0.2	860	0.08	20	
10000	100x100	0.1	700	0.06	18	

CRI 63/130
 54

ir	i ₁ x _i ₂	n ₁ = 1400 min ⁻¹				IEC
		n ₂ min ⁻¹	T _{2M} Nm	P kW	RD %	
140	7x20	10.0	1660	2.8	61	90 - 80 - 71
200	10x20	7.0	1600	2.0	59	
280	10x28	5.0	1600	1.7	51	
400	20x20	3.5	1600	1.1	53	
600	15x40	2.3	1600	0.90	43	
980	49x20	1.4	1600	0.58	42	
1372	49x28	1.0	1600	0.51	33	80 - 71
1960	49x40	0.7	1600	0.38	31	
2800	70x40	0.5	1600	0.30	28	
4000	100x40	0.4	1600	0.24	24	
5600	100x56	0.3	1600	0.18	23	
7000	100x70	0.2	1600	0.16	21	
8000	100x80	0.2	1600	0.14	20	
10000	100x100	0.1	1250	0.10	18	

CRI 70/130
 61

ir	i ₁ x _i ₂	n ₁ = 1400 min ⁻¹				IEC
		n ₂ min ⁻¹	T _{2M} Nm	P kW	RD %	
140	7x20	10.0	1660	2.8	62	100-90-80
200	10x20	7.0	1600	2.0	59	
280	10x28	5.0	1600	1.7	51	
400	20x20	3.5	1600	1.1	53	90 - 80
600	15x40	2.3	1600	0.90	43	
980	49x20	1.4	1600	0.58	42	80 - 71
1372	49x28	1.0	1600	0.51	33	
1960	49x40	0.7	1600	0.38	31	
2800	70x40	0.5	1600	0.31	27	
4000	100x40	0.4	1600	0.24	24	
5600	100x56	0.3	1600	0.18	23	
7000	100x70	0.2	1600	0.16	21	
8000	100x80	0.2	1600	0.14	20	
10000	100x100	0.1	1250	0.10	18	

CRI 85/130
 67

ir	i ₁ x _i ₂	n ₁ = 1400 min ⁻¹				IEC
		n ₂ min ⁻¹	T _{2M} Nm	P kW	RD %	
140	7x20	10.0	1660	2.8	62	112-100-90
200	10x20	7.0	1600	2.0	60	
280	10x28	5.0	1600	1.6	51	
400	20x20	3.5	1600	1.1	55	
600	15x40	2.3	1600	0.89	44	
980	49x20	1.4	1600	0.57	42	
1372	49x28	1.0	1600	0.51	34	90 - 80
1960	49x40	0.7	1600	0.38	32	
2800	70x40	0.5	1600	0.29	29	
4000	100x40	0.4	1600	0.23	25	
5600	100x56	0.3	1600	0.18	24	
7000	100x70	0.2	1600	0.15	22	
8000	100x80	0.2	1600	0.14	21	
10000	100x100	0.1	1250	0.10	19	

CRI 85/150
 96

ir	i ₁ x _i ₂	n ₁ = 1400 min ⁻¹				IEC
		n ₂ min ⁻¹	T _{2M} Nm	P kW	RD %	
140	7x20	10.0	2620	4.3	64	112-100-90
200	10x20	7.0	2600	3.1	61	
280	10x28	5.0	2510	2.5	53	
400	20x20	3.5	2600	1.7	55	
600	15x40	2.3	2600	1.4	45	
980	49x20	1.4	2600	0.89	44	
1372	49x28	1.0	2600	0.78	36	90 - 80
1960	49x40	0.7	2600	0.60	33	
2800	70x40	0.5	2600	0.45	31	
4000	100x40	0.4	2600	0.37	26	
5600	100x56	0.3	2600	0.27	25	
7000	100x70	0.2	2600	0.25	22	
8000	100x80	0.2	2600	0.22	21	
10000	100x100	0.1	1950	0.15	20	

CRI 110/150
 115

ir	i ₁ x _i ₂	n ₁ = 1400 min ⁻¹				IEC
		n ₂ min ⁻¹	T _{2M} Nm	P kW	RD %	
140	7x20	10.0	2620	4.3	65	112 - 100
200	10x20	7.0	2600	3.1	62	
280	10x28	5.0	2510	2.5	54	
400	20x20	3.5	2600	1.7	57	
600	15x40	2.3	2600	1.4	46	
980	49x20	1.4	2600	0.84	46	
1372	49x28	1.0	2600	0.73	38	112-100-90
1960	49x40	0.7	2600	0.56	35	
2800	70x40	0.5	2600	0.43	32	
4000	100x40	0.4	2600	0.34	28	
5600	100x56	0.3	2600	0.25	27	
7000	100x70	0.2	2600	0.23	23	
8000	100x80	0.2	2600	0.21	23	
10000	100x100	0.1	1950	0.14	21	



3.7 Prestazioni riduttori CRI

3.7 CRI gearboxes performances

3.7 Leistungen der CRI-Getriebe

CRI 85/180

Kg 149

ir	i ₁ x _{i2}	n ₁ = 1400 min ⁻¹				IEC
		n ₂ min ⁻¹	T _{2M} Nm	P kW	RD %	
140	7x20	10.0	3750	6.1	65	112-100-90
200	10x20	7.0	4095	4.8	62	
280	10x28	5.0	3700	3.5	55	
400	20x20	3.5	4200	2.7	56	
600	15x40	2.3	4160	2.2	46	
980	49x20	1.4	3850	1.3	44	
1372	49x28	1.0	4200	1.2	37	90 - 80
1960	49x40	0.7	4200	0.97	33	
2800	70x40	0.5	4200	0.72	31	
4000	100x40	0.4	4200	0.59	26	
5600	100x56	0.3	4200	0.43	25	
7000	100x70	0.2	4200	0.40	22	
8000	100x80	0.2	4200	0.36	21	
10000	100x100	0.1	3300	0.26	16	

CRI 110/180

Kg 168

ir	i ₁ x _{i2}	n ₁ = 1400 min ⁻¹				IEC
		n ₂ min ⁻¹	T _{2M} Nm	P kW	RD %	
140	7x20	10.0	3750	6.0	65	112 - 100
200	10x20	7.0	4095	4.8	63	
280	10x28	5.0	3700	3.5	55	
400	20x20	3.5	4200	2.7	58	
600	15x40	2.3	4160	2.2	47	
980	49x20	1.4	4200	1.4	46	
1372	49x28	1.0	4200	1.1	39	112-100-90
1960	49x40	0.7	4200	0.91	35	
2800	70x40	0.5	4200	0.69	32	
4000	100x40	0.4	4200	0.55	28	
5600	100x56	0.3	4200	0.40	27	
7000	100x70	0.2	4200	0.37	24	
8000	100x80	0.2	4200	0.34	23	
10000	100x100	0.1	3300	0.24	20	

CRI 130/180

Kg 178

ir	i ₁ x _{i2}	n ₁ = 1400 min ⁻¹				IEC
		n ₂ min ⁻¹	T _{2M} Nm	P kW	RD %	
140	7x20	10.0	3750	5.9	67	132-112-100
200	10x20	7.0	4095	4.7	64	
280	10x28	5.0	3700	3.4	57	
400	20x20	3.5	4200	2.6	59	
600	15x40	2.3	4160	2.1	48	
980	49x20	1.4	4200	1.3	47	
1372	49x28	1.0	4200	1.14	40	112-100
1960	49x40	0.7	4200	0.90	35	
2800	70x40	0.5	4200	0.66	34	
4000	100x40	0.4	4200	0.53	29	
5600	100x56	0.3	4200	0.39	28	
7000	100x70	0.2	4200	0.35	25	
8000	100x80	0.2	4200	0.33	24	
10000	100x100	0.1	3300	0.23	21	

I pesi riportati sono indicativi e possono variare in funzione della versione del riduttore.

Listed weights are for reference only and can vary according to the gearbox version.

Die angegebenen Gewichte sind Richtwerte und können sich je nach Getriebeversion ändern.



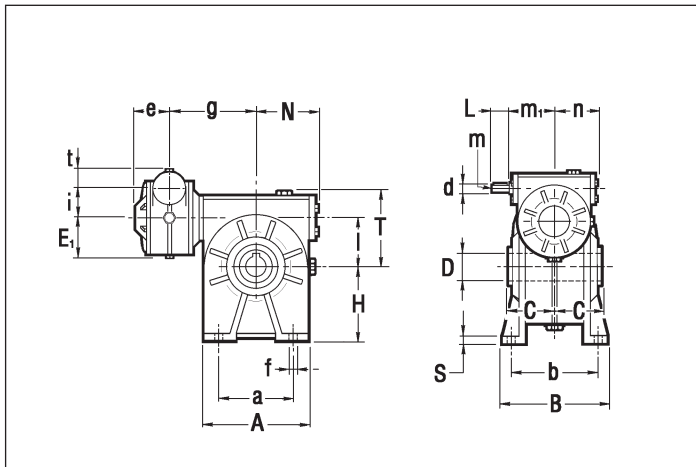


3.9 Dimensioni

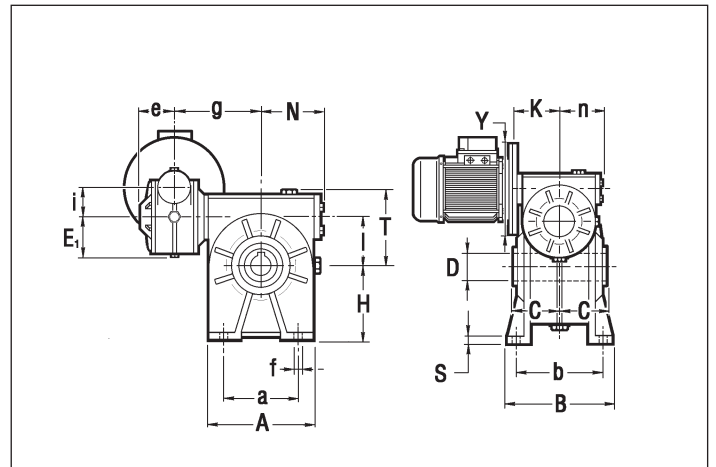
3.9 Dimensions

3.9 Abmessungen

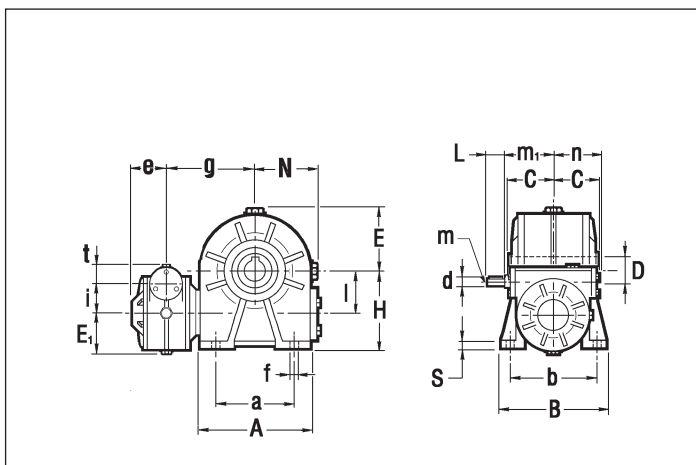
CRI S



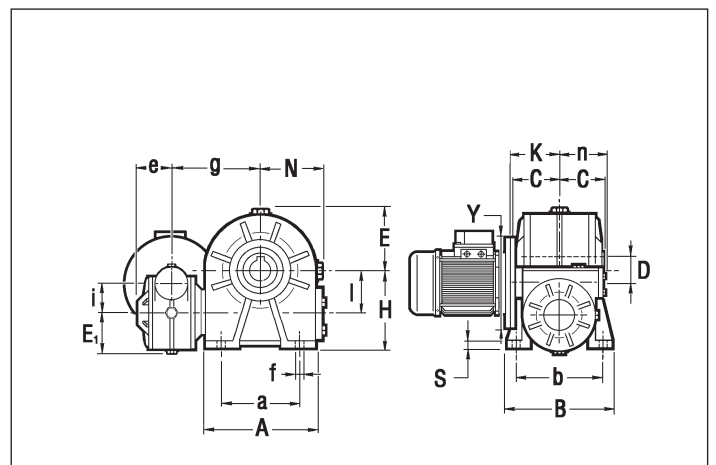
CRMI S



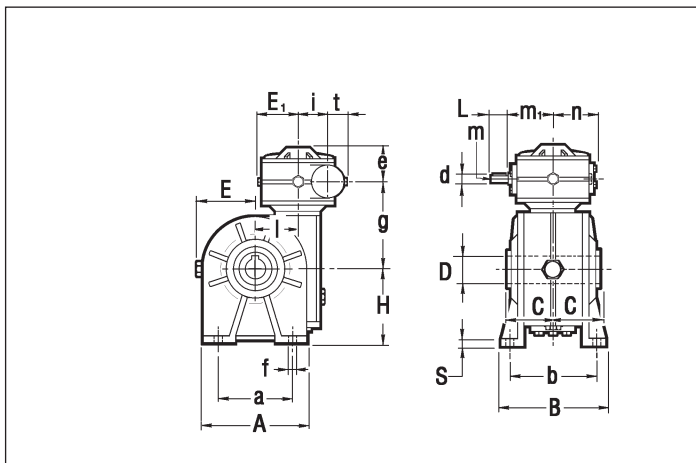
CRI I



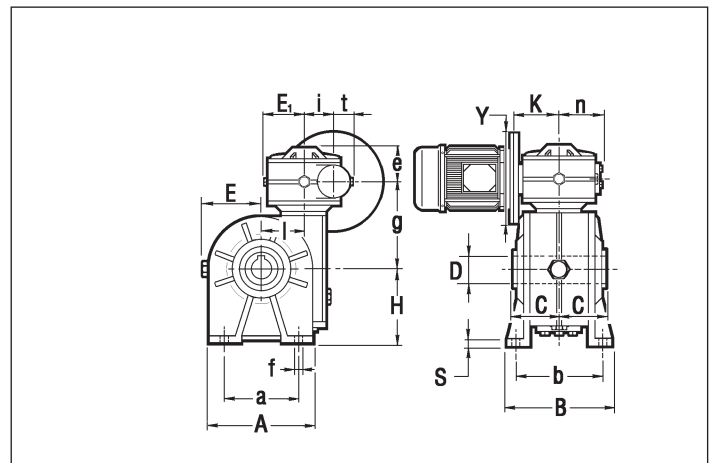
CRMI I



CRI D



CRMI D



3.9 Dimensioni

3.9 Dimensions

3.9 Abmessungen

CRI CRMI	A	a	B	b	C	D H7	d j6	E	E ₁	e	f	g	H	I	i	L	m	m ₁	N	n	S	T	t
28/28	67	52	78	66 ⁺² ₋₆	30	14	9	40	40	35	5.5	90	52	28	28	20	M4	47	44.5	44.5*	6	49	21
28/40	100	70	102	84 ^{±3}	41	19(18)	9	59	40	35	7	104.5	71	40	28	20	M4	47	61.5	44.5*	8	66	21
40/40 °	100	70	102	84 ^{±3}	41	19(18)	11	59	59	49	7	145.5	71	40	40	22	M5	64	61.5	61.5	8	66	26
28/50	120	85	119	99 ^{±3}	49	24(25)	9	69	40	35	9	115	85	50	28	20	M4	43	72.5	44.5*	10	80	21
40/50	120	85	119	99 ^{±3}	49	24(25)	11	69	59	49	9	106	85	50	40	22	M5	64	72.5	61.5	10	80	26
28/63	140	95	136	111 ⁺² ₋₈	60	25	9	81	40	35	11	135.5	100	63	28	20	M4	47	84	44.5*	11	99	20
40/63	140	95	136	111 ⁺² ₋₈	60	25	11	81	59	49	11	146	100	63	40	22	M5	64	84	61.5	11	99	26
28/70	158	120	140	116 ⁺² ₋₈	60	28	9	87	40	35	11	140.5	115	70	28	20	M4	47	92	44.5*	13	108	21
40/70	158	120	140	116 ⁺² ₋₈	60	28	11	87	59	49	11	151	115	70	40	22	M5	64	92	61.5	13	108	26
50/70	158	120	140	116 ⁺² ₋₈	60	28	14	87	69	59	11	149	115	70	50	30	M6	74	92	72.5	13	108	30
63/70 °	158	120	140	116	60	28	18	87	81	69	11	182	115	70	63	45	M6	96	92	81	13	108	36
40/85 °	193	140	168	140	61	32(35)	11	105	59	49	13	198	135	85	40	22	M5	64	111	61.5	15	135	26
50/85	193	140	168	140	61	32(35)	14	105	69	59	13	173	135	85	50	30	M6	74	111	72.5	15	135	30
63/85 °	193	140	168	140	61	32(35)	18	105	81	69	13	198	135	85	63	45	M6	96	111	81	15	135	36
70/85	193	140	168	140	61	32(35)	19	105	87	68	13	165	135	85	70	40	M8	97	111	92	15	135	43
50/110 °	250	200	200	162	77.5	42	14	135	69	59	14	236.5	172	110	50	30	M6	74	142	72.5	17	170	30
63/110 °	250	200	200	162	77.5	42	18	135	81	69	14	227	172	110	63	45	M6	96	142	81	17	170	36
70/110	250	200	200	162	77.5	42	19	135	87	68	14	191	172	110	70	40	M8	97	142	92	17	170	38
85/110	250	200	200	162	77.5	42	24	135	105	71	14	195	172	110	85	50	M8	115	142	111	17	170	50
63/130 °	286	235	230	190	90	48	18	150	81	69	15	265	200	130	63	45	M6	96	159	81	19	200	36
70/130	286	235	230	190	90	48	19	150	87	68	15	214	200	130	70	40	M8	97	159	92	19	200	38
85/130	286	235	230	190	90	48	24	150	105	71	15	213	200	130	85	50	M8	115	159	111	19	200	50
85/150	336	260	250	210	105	55	24	178	105	71	19	240	230	150	85	50	M8	115	189	111	20	224	50
110/150	336	260	250	210	105	55	28	178	135	92	19	254	230	150	110	60	M8	146	189	142	20	224	60
85/180	400	310	320	260	120	65	24	210	105	71	22	283	265	180	85	50	M8	115	232	111	22	265	50
110/180	400	310	320	260	120	65	28	210	135	92	22	296	265	180	110	60	M8	146	232	142	22	265	60
130/180	400	310	320	260	120	65	38	210	150	102	22	306	265	180	130	80	M10	166	232	159	22	265	70

* CRI 28/... - CRMI 28/... IEC56: n=44.5, CRMI 28/... IEC 63: n=46

	CRMI															
	28/28 28/40 28/50 28/63 28/70		40/40 ° 40/50 40/63 40/70 40/85 °		50/70 50/85 50/110 °		63/70 ° 63/85 ° 63/110 ° 63/130 °		70/85 70/110 70/130		85/110 85/130 85/150 85/180		110/150 110/180		130/180	
	Y	K	Y	K	Y	K	Y	K	Y	K	Y	K	Y	K	Y	K
B5	120	49	120	63.5	140	77	160	95	160	100	160	116	200	145	—	—
	—	—	140	63.5	160	77	200	95	200	100	200	116	250	145	250	163
	—	—	160	71	200	81	—	—	—	—	250	118	—	—	300	163
B14	80•	49	80•	63.5	90•	77	105•	95	105	100	120	116	160	145	—	—
	90	51	90	63.5	105	77	120	95	120	100	140	116	—	—	—	—
	—	—	105	71	120	81	140	95	140	100	160	118	—	—	—	—
	—	—	—	—	—	—	—	—	160	100	—	—	—	—	—	—

(•) Vedi nota in fondo a tabella 3.4.

(•) See note at the bottom of table 3.4.

(•) Siehe Bemerkungen Tabelle 3.4 unten.

(°) Riduttori con accoppiamento eseguito con kit di montaggio, vedi par. 3.11.
N.B. Le dimensioni delle linguette sono riportate di seguito.

(°) Gearboxes assembled with combination kit, see also chapter 3.11.
NOTE. Sizes of feathers are shown below.

(°) Getriebe angebaut mit kombinationskit, siehe auch Abschnitt 3.11.
HINWEIS. Die Abmessungen der Federn sind auf angegeben.

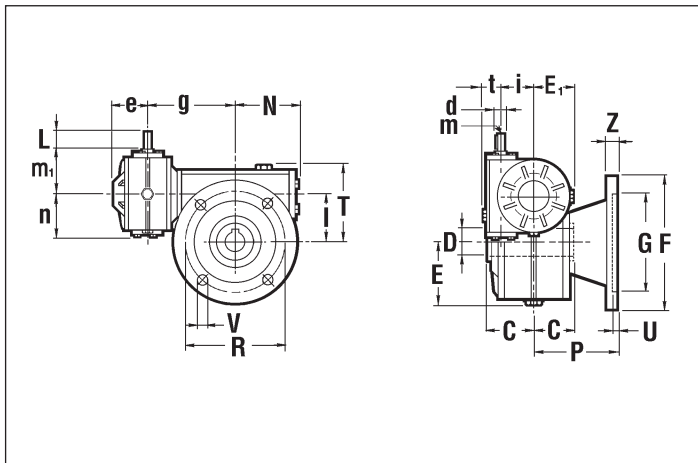


3.9 Dimensioni

3.9 Dimensions

3.9 Abmessungen

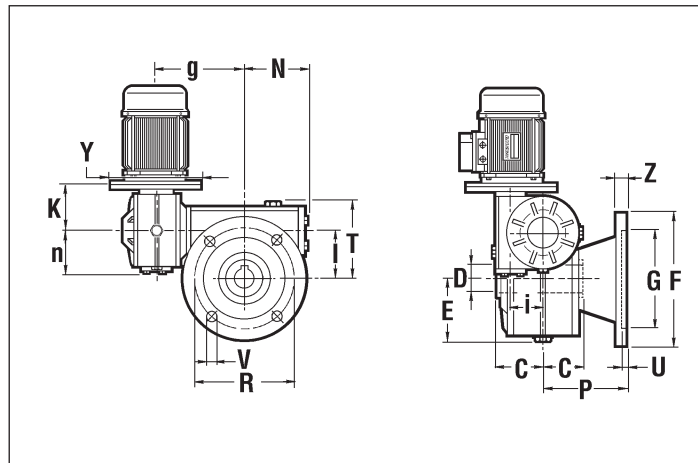
CRI A(FL)



N.B.
Nelle grandezze .../40, .../50, .../63, .../70 la versione A(FL) viene ottenuta applicando una flangia modulare sulla flangia pendolare della versione A(PP).

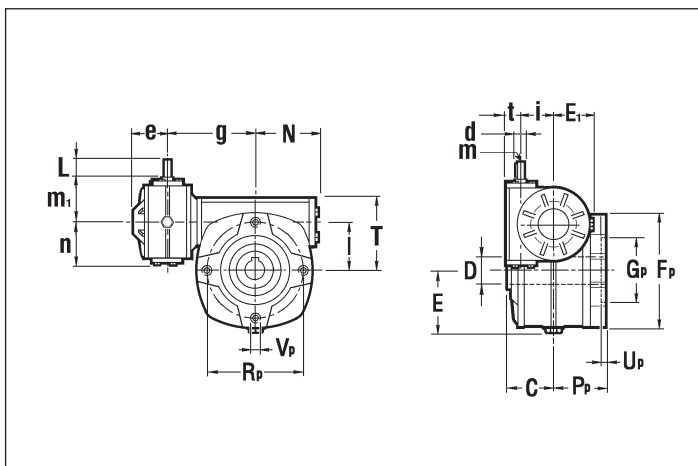
NOTE.
In sizes .../40, .../50, .../63, .../70 the FL version is obtained by applying a modular flange onto the shaft-mounted flange of the A(PP) version.

CRMI A(FL)

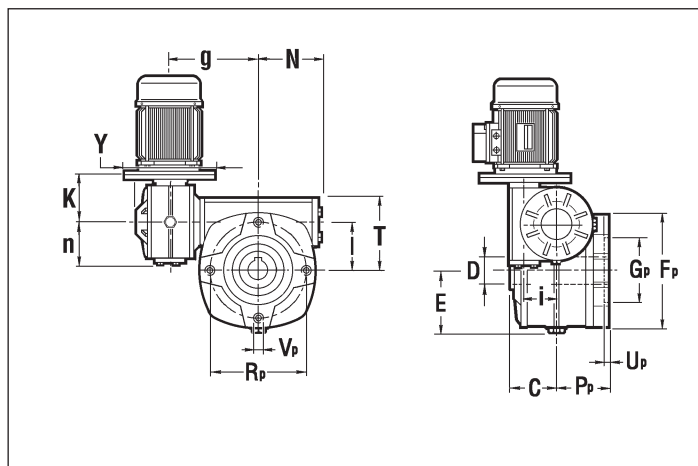


HINWEIS.
Bei den Größen .../40, .../50, .../63, .../70 erhält man die FL-Version, indem ein Modulflansch an den Flansch mit Drehmomentstütze der A(PP)-Version befestigt wird.

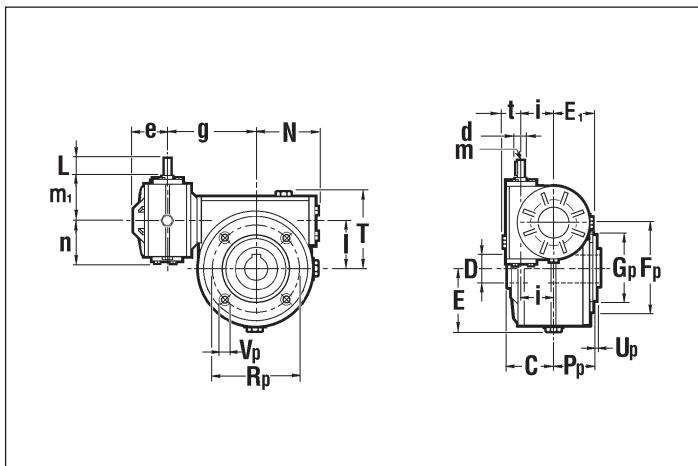
CRI .../28A(P)



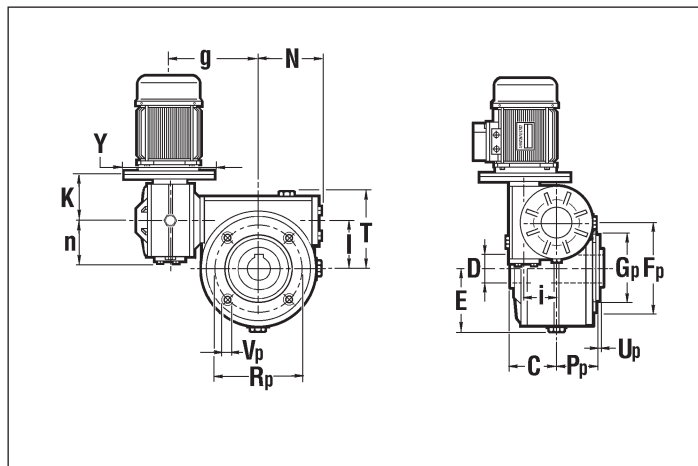
CRMI .../28A(P)



CRI .../40A(PP) - .../70A(PP) CRI .../85A(P) - .../180A(P)



CRMI .../40A(PP) - .../70A(PP) CRMI .../85A(P) - .../180A(P)





3.9 Dimensioni

3.9 Dimensions

3.9 Abmessungen

CRI CRMI	C	D H7	d j6	E	E ₁	e	g	l	i	L	m	m ₁	N	n	T	t
28/28	30	14	9	40	40	35	90	28	28	20	M4	47	44.5	44.5*	49	21
28/40	41	19 (18)	9	59	40	35	104.5	40	28	20	M4	47	61.5	44.5*	66	21
40/40 °	41	19 (18)	11	59	59	49	145.5	40	40	22	M5	64	61.5	61.5	66	26
28/50	49	24 (25)	9	69	40	35	115	50	28	20	M4	43	72.5	44.5*	80	21
40/50	49	24 (25)	11	69	59	49	106	50	40	22	M5	64	72.5	61.5	80	26
28/63	60	25	9	81	40	35	135.5	63	28	20	M4	47	84	44.5*	99	21
40/63	60	25	11	81	59	49	145.5	63	40	22	M5	64	84	61.5	99	26
28/70	60	28	9	87	40	35	140.5	70	28	20	M4	47	92	44.5*	108	21
40/70	60	28	11	87	59	49	151	70	40	22	M5	64	92	61.5	108	26
50/70	60	28	14	87	69	59	149	70	50	30	M6	74	92	72.5	108	30
63/70 °	60	28	18	87	81	69	182	70	63	45	M6	96	92	81	108	36
40/85 °	61	32 (35)	11	105	59	49	198	85	40	22	M5	64	111	61.5	135	26
50/85	61	32 (35)	14	105	69	59	173	85	50	30	M6	74	111	72.5	135	30
63/85 °	61	32 (35)	18	105	81	69	198	85	63	45	M6	96	111	81	135	36
70/85	61	32 (35)	19	105	87	68	165	85	70	40	M8	97	111	92	135	43
50/110 °	77.5	42	14	135	69	59	236.5	110	50	30	M6	74	142	72.5	170	30
63/110 °	77.5	42	18	135	81	69	227	110	63	45	M6	96	142	81	170	36
70/110	77.5	42	19	135	87	68	191	110	70	40	M8	97	142	92	170	38
85/110	77.5	42	24	135	105	71	195	110	85	50	M8	115	142	111	170	50
63/130 °	90	48	18	150	81	69	265	130	63	45	M6	96	159	81	200	36
70/130	90	48	19	150	87	68	214	130	70	40	M8	97	159	92	200	38
85/130	90	48	24	150	105	71	213	130	85	50	M8	115	159	111	200	50
85/150	105	55	24	178	105	71	240	150	85	50	M8	115	189	111	224	50
110/150	105	55	28	178	135	92	254	150	110	60	M8	146	189	142	224	60
85/180	120	65	24	210	105	71	283	180	85	50	M8	115	232	111	265	50
110/180	120	65	28	210	135	92	296	180	110	60	M8	146	232	142	265	60
130/180	120	65	38	210	150	102	306	180	130	80	M10	166	232	159	265	70

* CRI 28/... - CRMI 28/... IEC56: n=44.5, CRMI 28/... IEC 63: n=46

CRI CRMI	F	G H8	P	R	U	V	Z	Fp	Gp h8	Pp	Rp	Up	Vp
28/28	70	40	49	56	5	6	5	67	42(H8)	36	56	7	M6
28/40	140	95	82	115	5	8.5	9	95	60	38	83	2	M6
40/40 °													
28/50	160	110	91.5	130	5	10	10	105	70	49	85	2.5	M8
40/50													
28/63	180	115	116	150	5	11	11	105	70	57.5	85	3.5	M8
40/63													
28/70	200	130	111	165	5	13	11	120	80	57	100	4	M8
40/70													
50/70	200	130	100	165 ⁰ ₊₁	5	13	12	144	110	56.5	130	3.5	M10
63/70 °													
40/85 °	200	130	100	165 ⁰ ₊₁	5	13	12	144	110	56.5	130	3.5	M10
50/85													
63/85 °	250	180	150	215	5	15	16	200	130	74	165	3	M12
70/110													
85/110	300	230	150	265	5	15	18	242	180	87	215	5	M12
63/130 °													
70/130	350	250	160	300	6	19	18	250	180	102	215	5	M14
85/130													
85/150	400	300	180	350	6.5	22	22	300	230	117	265	5	M16
110/150													
85/180	400	300	180	350	6.5	22	22	300	230	117	265	5	M16
110/180													
130/180	400	300	180	350	6.5	22	22	300	230	117	265	5	M16

	CRMI															
	28/28 28/40		40/40 ° 40/50 40/63 40/70 40/85 °		50/70 50/85 50/110 °		63/70 ° 63/85 ° 63/110 ° 63/130 °		70/85 70/110 70/130		85/110 85/130 85/150 85/180		110/150 110/180		130/180	
	Y	K	Y	K	Y	K	Y	K	Y	K	Y	K	Y	K	Y	K
B5	120	49	120	63.5	140	77	160	95	160	100	160	116	200	145	200	163
	—	—	140	63.5	160	77	200	95	200	100	200	116	250	145	250	163
	—	—	160	71	200	81	—	—	—	—	250	118	—	—	300	163
B14	80 •	49	80 •	63.5	90 •	77	105 •	95	105	100	120	116	160	145	—	—
	90	51	90	63.5	105	77	120	95	120	100	140	116	—	—	—	—
	—	—	105	71	120	81	140	95	140	100	160	118	—	—	—	—
—	—	—	—	—	—	—	—	—	160	100	—	—	—	—	—	—

(•) Vedi nota in fondo a tabella 3.4.

(•) See note at the bottom of table 3.4.

(•) Siehe Bemerkungen Tabelle 3.4 unten.

(°) Riduttori con accoppiamento eseguito con kit di montaggio, vedi par. 3.11.
N.B. Le dimensioni delle linguette sono riportate di seguito.

(°) Gearboxes assembled with combination kit, see also chapter 3.11.
NOTE. Sizes of feathers are shown below.

(°) Getriebe angebaut mit kombinationskit, siehe auch Abschnitt 3.11.
HINWEIS. Die Abmessungen der Federn sind angegeben.



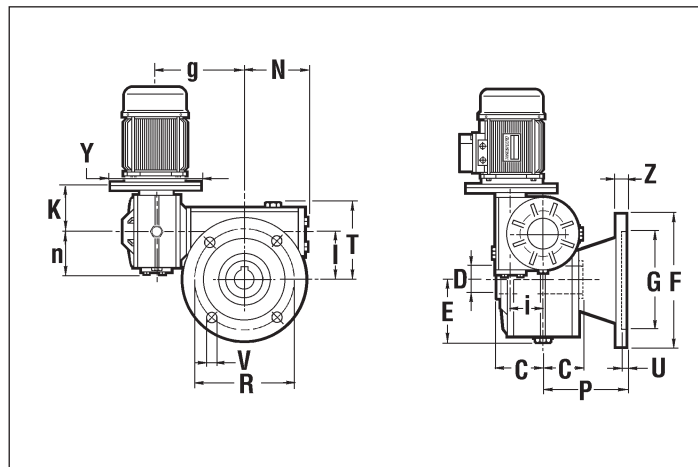
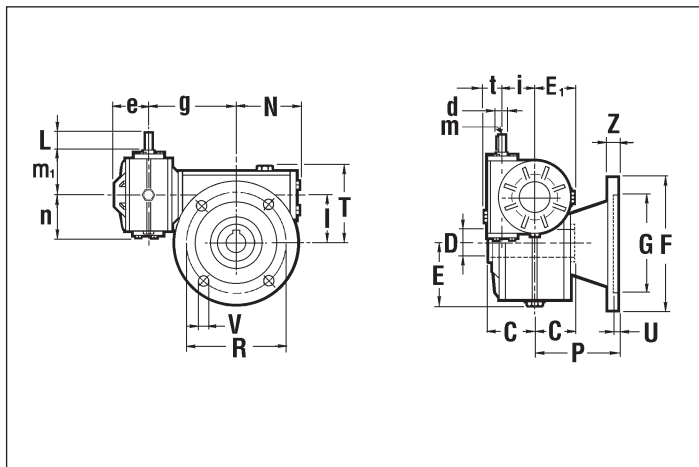
3.9 Dimensioni

3.9 Dimensions

3.9 Abmessungen

CRI A(F1 - F2 - F3)

CRMI A(F1 - F2 - F3)



CRI - CRMI

	28/28		28/40 40/40°			28/50 40/50			28/63 40/63			28/70 40/70 50/70 63/70°			40/85° 50/85 63/85° 70/85			50/110° 63/110° 70/110 85/110			85/180 110/180 130/180	
	F1	F1	F2	F1	F2	F3	F1#	F2#	F3#	F1#	F2#	F3	F1	F2	F3	F1	F2	F3	F2	F2		
F	80	106	120	125	125	140	175	200	160	175	175	160	200	210	160	200	270	270	400			
G (H8)	50	60	80	70	70	95	115	130	110	115	115	110	130	152	110	130	170	170	300			
P	53	69	62	93	73	81	86	102	82	116	85	101	141	120	91	115	132	178	150			
R	63±5	87	100	90 ⁰ _{±9}	100	115	150	165	130	150	150	130	165	176	130	165	230	230	350			
U	4	5	5	5	4	4	5	5	5	5	5	6	6	5	5	5	10	10	6.5			
V	6	8.5	9	10.5	9	9	11	13	10	11	11	11	13	13	11.5	13	13.5	13.5	22			
Z	7	9	9	10	9	9	11	11	11	10	10	11	12	14	10	12	18	18	22			

Le versioni F1, F2, F3 contrassegnate con il simbolo (#) sono ottenute applicando una flangia modulare sulla flangia pendolare della versione PP.

F1, F2 and F3 versions that are marked with (#) are obtained by applying a modular flange onto the shaft-mounted flange of the PP version.

Die mit (#) gekennzeichneten Versionen F1, F2 und F3 erhält man, indem ein Modulflansch an den Flansch mit Drehmomentstütze der PP-Version befestigt wird.

CRI CRMI	C	D H7	d j6	E	E ₁	e	g	l	i	L	m	m ₁	N	n	T	t
28/28	30	14	9	40	40	35	90	28	28	20	M4	47	44.5	44.5*	49	21
28/40	41	19 (18)	9	59	40	35	104.5	40	28	20	M4	47	61.5	44.5*	66	21
40/40°	41	19 (18)	11	59	59	49	145.5	40	40	22	M5	64	61.5	61.5	66	26
28/50	49	24 (25)	9	69	40	35	115	50	28	20	M4	43	72.5	44.5*	80	21
40/50	49	24 (25)	11	69	59	49	106	50	40	22	M5	64	72.5	61.5	80	26
28/63	60	25	9	81	40	35	135.5	63	28	20	M4	47	81	44.5*	99	21
40/63	60	25	11	81	59	49	146	63	40	22	M5	64	81	61.5	99	26
28/70	60	28	9	87	40	35	140.5	70	28	20	M4	47	92	44.5*	108	21
40/70	60	28	11	87	59	49	151	70	40	22	M5	64	92	61.5	108	26
50/70	60	28	14	87	69	59	149	70	50	30	M6	74	92	72.5	108	30
63/70°	60	28	18	87	81	69	182	70	63	45	M6	96	92	81	108	36
40/85°	61	32 (35)	11	105	59	49	198	85	40	22	M5	64	111	61.5	135	26
50/85	61	32 (35)	14	105	69	59	173	85	50	30	M6	74	111	72.5	135	30
63/85°	61	32 (35)	18	105	81	69	198	85	63	45	M6	96	111	81	135	36
70/85	61	32 (35)	19	105	87	68	165	85	70	40	M8	97	111	92	135	43
50/110°	77.5	42	14	135	69	59	236.5	110	50	30	M6	74	142	72.5	170	30
63/110°	77.5	42	18	135	81	69	227	110	63	45	M6	96	142	81	170	36
70/110	77.5	42	19	135	87	68	191	110	70	40	M8	97	142	92	170	38
85/110	77.5	42	24	135	105	71	195	110	85	50	M8	115	142	111	170	50
85/180	120	65	24	210	105	71	283	180	85	50	M8	115	232	111	265	50

* CRI 28/... - CRMI 28/... IEC56: n=44.5, CRMI 28/... IEC 63: n=46

(°) Riduttori con accoppiamento eseguito con kit di montaggio, vedi par.3.11.
N.B. Le dimensioni delle linguette sono riportate di seguito.

(°) Gearboxes assembled with combination kit, see also chapter 3.11.
NOTE. Sizes of feathers are shown below.

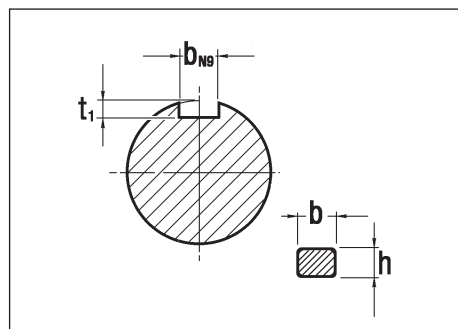
(°) Getriebe angebaud mit kombinationskit, siehe auch Abschnitt 3.11.
HINWEIS. Die Abmessungen der Federn sind auf angegeben.

3.9 Dimensioni

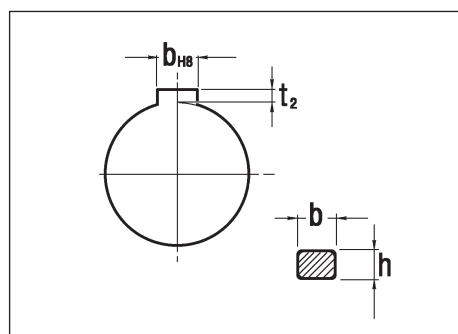
3.9 Dimensions

3.9 Abmessungen

Linguette



Albero entrata
Input shaft
Antriebswelle



Albero uscita
Output shaft
Abtriebswelle

Federn

d	b x h	t ₁
9	3 x 3	1.8
11	4 x 4	2.5
14	5 x 5	3.0
18	6 x 6	3.5
19	6 x 6	3.5
24	8 x 7	4.0
28	8 x 7	4.0
38	10 x 8	5.0
42	12 x 8	5.0
48	14 x 9	5.5

D	b x h	t ₂
14	5 x 5	2.3
18	6 x 6	2.8
19	6 x 6	2.8
24	8 x 7	3.3
25	8 x 7	3.3
28	8 x 7	3.3
32	10 x 8	3.3
35	10 x 8	3.3
42	12 x 8	3.3
48	14 x 9	3.8
55	16 x 10	4.3
65	18 x 11	4.4

Esecuzione con vite bisporgente

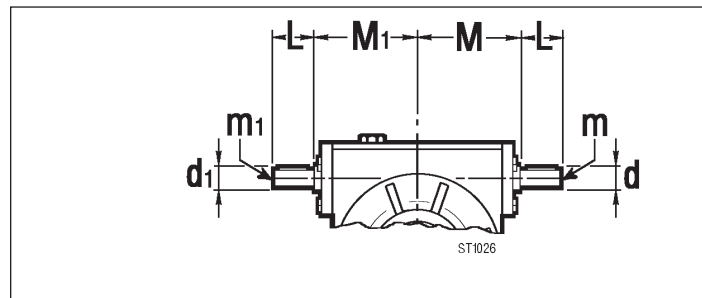
Double extended input shaft

Ausführung mit Wellenzapfen auf beiden Seiten

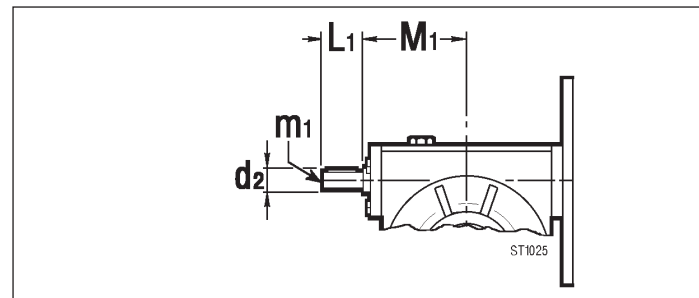
Nei riduttori combinati è necessario specificare se questa configurazione è riferita al primo riduttore (in entrata) o al secondo riduttore (in uscita).

In combined gearboxes, it is necessary to specify if such configuration refers to the first gearbox (input gearbox) or to the second one (output gearbox).

Bei den Kombinationsgetrieben muß angegeben werden, ob sich die Konfiguration auf das erste Getriebe (Eingang) oder auf das zweite (Ausgang) bezieht.



Configurazione realizzabile solo sul primo riduttore (CRI).
This configuration can only be obtained on the first gearbox (CRI).
Nur am ersten Getriebe (CRI) realisierbare Konfiguration.



Configurazione realizzabile sul primo riduttore (CRMI) e sul secondo riduttore (CRI e CRMI).
This configuration can be obtained both on the first gearbox (CRMI) and on the second gearbox (CRI and CRMI).

Grandezza Size Größe	d	d ₁	d ₂	L	L ₁	m	m ₁	M	M ₁
28	9	9	9	20	20	M4	—	47	47
40	11	11	11	22	22	M5	M5	64	64*
50	14	14	14	30	30	M6	M6	74	74
63	18	18	18	45	45	M6	M6	96	85
70	19	19	19	40	40	M8	M8	97	97
85	24	24	24	50	50	M8	M8	115	115
110	28	28	28	60	60	M8	M8	146	146
130	38	38	38	80	80	M10	M10	166	166
150	42	42	42	100	100	M12	M12	195	195
180	48	48	48	110	110	M14	M14	235	235

(*) RMI 40/... IEC71: M₁=67



3.10 Gioco ridotto

I riduttori vite senza fine combinati sono anche disponibili con gioco ridotto/registrabile. Per informazioni sulle quantità e prezzi contattare il nostro uff. commerciale.

3.10 Low backlash

The combined worm gearboxes are also available with low/adjustable backlash. For informations of quantities and prices please contact our sales department.

3.10 Spielarme Getriebe

Die kombinierten Schneckengetriebe sind auch spielarm bzw. mit einstellbarem Spiel erhältlich. Für informationen bzgl. Abnahmemenge und Preis wenden Sie sich bitte an unseren Vertrieb.

3.11 Accoppiamenti

E' inoltre disponibile un kit che permette di combinare modularmente i riduttori, utilizzando un riduttore in entrata in versione flangiata e il riduttore in uscita predisposto con flangia attacco motore IEC. La tabella seguente indica le possibili combinazioni.

3.11 Coupling

To make you more flexible it is also possible to supply the gearboxes seperately and to combine them with an assembling kit. For this we deliver the input gearbox in the flanged version and the output gearbox with IEC motor connecting flange. The possible combinations and the assembling kits are listed below.

3.11 Kupplung

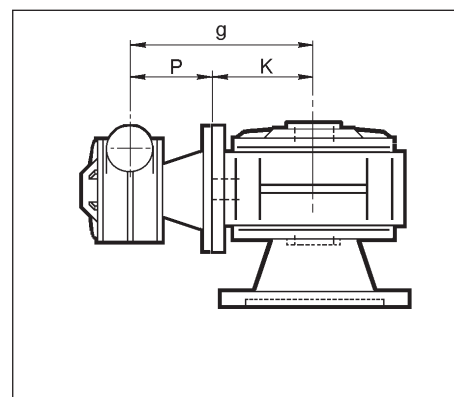
Um bei der Kombination der Getriebe vorort flexibler zu sein, bieten wir einen Montage-Kit an, mit dessen Hilfe ein Standardgetriebe mit Abtriebsflansch in der ersten Übersetzungsstufe und ein Standardgetriebe mit IEC-Eingangsflansch in der zweiten Übersetzungsstufe kombiniert werden können. Die Kombinationsmöglichkeiten sowie die zugehörigen Montage-Kits sind in der folgenden Tabelle aufgelistet.

Nei riduttori e motorvariatori combinati 28/28 e 28/40 (accoppiati con kit di montaggio) l'asse della vite del 1° riduttore è sempre inclinata di 45° rispetto all'asse orizzontale o verticale. Specificare la posizione in fase di ordine.

In the combined worm gearboxes and motor-variators 28/28 and 28/40 (coupled with an assembly kit) the wormshaft axis of the first gearbox has always a tilt of 45° compared to the horizontal or vertical axis.

The position has to be specified in the order.

Wird das Kombinationsgetriebe 28/28 und 28/40 mit Hilfe des Montagekits gebildet, so befindet sich die Achse des ersten Getriebes immer in 45° bezüglich zur Horizontalen bzw. Vertikalen. Bei Auftragserteilung bitte die Montageposition angeben.



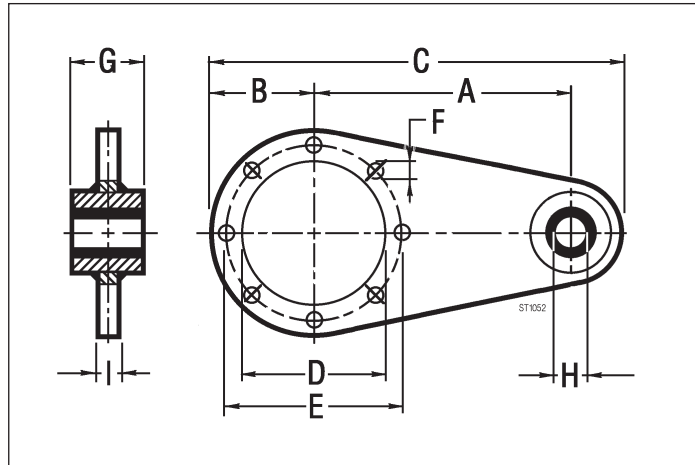
CRI CRMI	P	K	g	Riduttore in entrata Input gearbox Erstes Getriebe	Kit di montaggio Assembling kit Montage-kit	Riduttore uscita Output gearbox Zweites Getriebe
28/28	53	49	102			
40/40	82	63.5	145.5	28 F1	KIT 28/28	28 IEC56 B14
40/50	82	77	159	40 FL	KIT 40/40	40 IEC63 B5
50/50	91.5	77	168.5	40 FL	KIT 40/50	50 IEC140/14
40/63	82	95	177	50 FL	KIT 50/50	50 IEC71 B5
50/63	91.5	95	186.5	40 FL	KIT 40/63	63 IEC140/19
63/63	82	95	177	50 FL	KIT 50/63	63 IEC160/19
40/70	82	100	182	63 F3	KIT 63/63	63 IEC160/19
50/70	91.5	100	191.5	40 FL	KIT 40/70	70 IEC140/19
63/70	82	100	182	50 FL	KIT 50/70	70 IEC160/19
70/70	111	100	211	63 F3	KIT 63/70	70 IEC160/19
40/85	82	116	198	70 FL	KIT 70/70	70 IEC80 B5
50/85	91.5	116	207.5	40 FL	KIT 40/85	85 IEC90 B14
63/85	82	116	198	50 FL	KIT 50/85	85 IEC160/24
70/85	111	116	227	63 F3	KIT 63/85	85 IEC160/24
85/85	100	116	216	70 FL	KIT 70/85	85 IEC90 B5
50/110	91.5	145	236.5	85 FL	KIT 85/85	85 IEC90 B5
63/110	82	145	227	50 FL	KIT 50/110	110 IEC100 B14
70/110	111	145	256	63 F3	KIT 63/110	110 IEC100 B14
85/110	100	145	245	70 FL	KIT 70/110	110 IEC200/28
63/130	102	163	265	85 FL	KIT 85/110	110 IEC200/28
				63 F2	KIT 63/130	130 IEC200/28

3.12 Accessori
Braccio di reazione

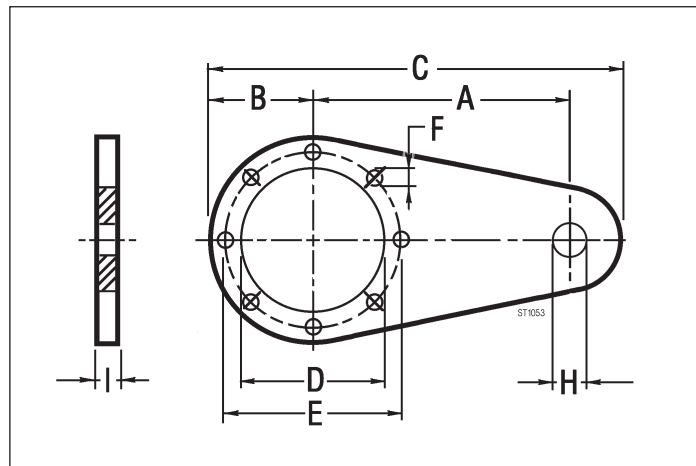
3.12 Accessories
Torque arm

3.12 Zubehör
Drehmomentstütze

Con boccola VKL
With VKL bushing
Mit VKL-Buchse



Standard



	CRI - CRMI									
	28/28	28/40 40/40	28/50 40/50	28/63 40/63	28/70 40/70 50/70 63/70	40/85 50/85 63/85 70/85	50/110 63/110 70/110 85/110	63/130 70/130 85/130	85/150 110/150	85/180 110/180 130/180
A	70	90	100	150	150	200	250	300	350	400
B	34.5	50	60	53	60	75	100	120	125	150
C	119.5	165	185	230	240	313	388	465	525	610
D	42.15	60	70	70	80	110	130	180	180	230
E	56	83	85	85	100	130	165	215	215	265
F	6.5	7	9	9	9	11	13	13	15	17
G	—	15	15	20	20	25	25	30	30	35
H	9	10	10	10	10	20	20	25	25	35
I	4	4	4	6	6	6	6	6	6	10



3.12 Accessori Alberi lenti

Tutti i riduttori a vite senza fine sono forniti con albero lento cavo. A richiesta, possono essere forniti alberi lenti come indicato nei disegni dimensionali.

Le dimensioni delle linguette sono conformi alle norme UNI 6604-69 (vedi par. 2.11).

3.12 Accessories Output shafts

All worm gearboxes are supplied with hollow output shaft. Output shafts as shown in the size drawings can be supplied upon request.

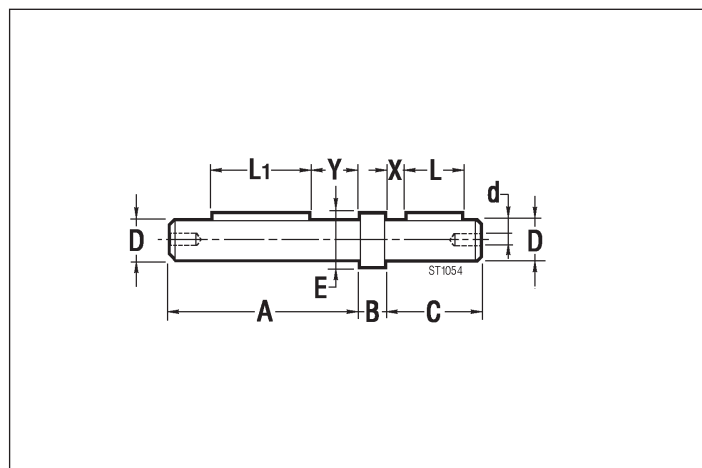
Sizes of feathers comply with standards UNI 6604-69 (see chapter 2.11).

3.12 Zubehör Abtriebswellen

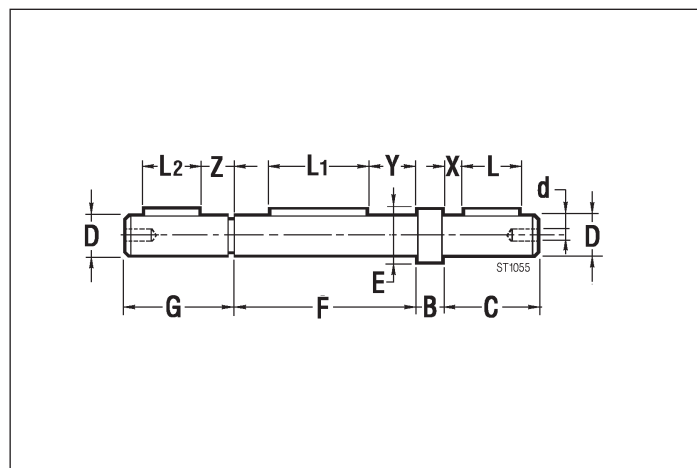
Alle Schneckengetriebe werden mit hohler Abtriebswelle geliefert. Auf Anfrage können Abtriebswellen gemäß den Maßzeichnungen geliefert werden.

Die Abmessungen der Federn entsprechen den Normen UNI 6604-69 (siehe Kapitel 2.11).

Albero lento
Single output shaft
Einseitige Abtriebswelle



Albero lento bisporgente
Double output shaft
Beidseitige Abtriebswelle



	CRI - CRMI									
	28/28	28/40 40/40	28/50 40/50	28/63 40/63	28/70 40/70 50/70 63/70	40/85 50/85 63/85 70/85	50/110 63/110 70/110 85/110	63/130 70/130 85/130	85/150 110/150	85/180 110/180 130/180
A	58	80	95	117	117	119	153	177	207	239
B	1.5	10	10	10	10	10	10	20	20	20
C	29.5	40	45	60	60	71	100	110	110	130
D_{g6}	14	19	24	25	28	32	42	48	55	65
d	M6	M8	M8	M8	M8	M10	M10	M10	M12	M14
E	17	22	28	34	34	38	50	58	63	78
F	60	82	98	120	120	122	155	180	210	240
G	31	50	55	70	70	81	110	130	130	150
L	20	25	30	40	40	50	80	90	90	100
L1	20	40	50	60	60	70	80	90	100	120
L2	20	25	30	40	40	50	80	90	90	100
X	4.5	8	7.5	10	10	10	10	10	10	15
Y	20	21	24	30	30	26	37	45	55	60
Z	6	18	18	20	20	20	20	30	30	35

N.B.
Tutti gli alberi lenti vengono forniti in kit di montaggio completi di linguette, rondelle, viti (e anelli elastici seeger per l'albero bisporgente).

NOTE.
All output shafts are supplied in kit complete with feathers, washers and screws (as well as snap rings for the double extended shaft).

HINWEIS.
Alle Abtriebswellen werden als Bausätze komplett mit Federn, Scheiben, Schrauben (bei beidseitiger Abtriebswelle auch die Seegerringe) geliefert.