

► Hybrid stepper motors

6630-37

- Step angle 1.8°
- Diameter 86 mm
- Weight 2800 g
- Holding torque 6 Nm

The hybrid stepper motor comes into its own where torque at low speed, positioning and accuracy are determining factors.

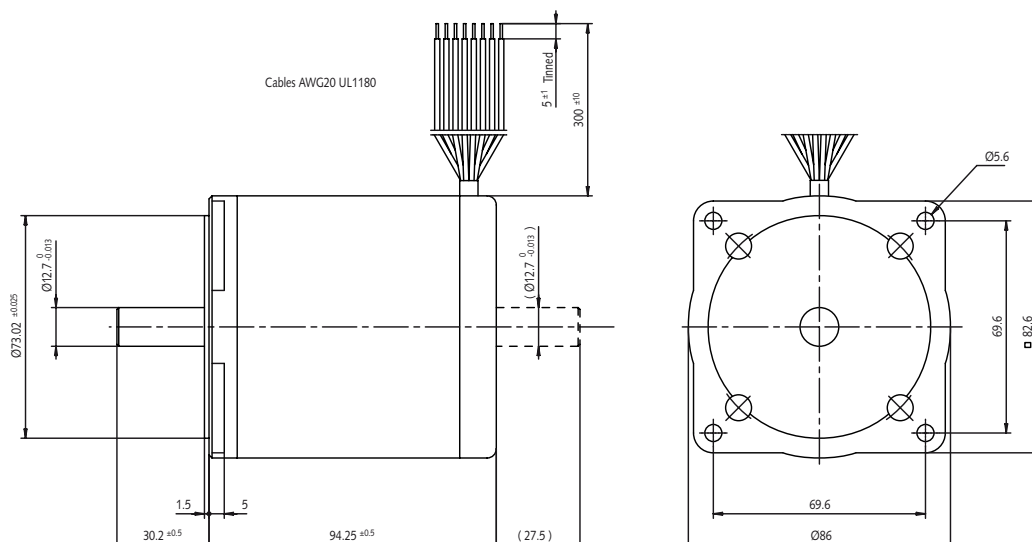
► Technical data

	Part N°	Phase resistance [Ω]	Phase inductance [mH]	Phase current [A]	Holding torque [Nm]	Nominal power [W]
Phases in parallel	6630-37-4-0.66	0.33	2.6	6.80	6	30.5
Phases in series		1.32	10.4	3.40	6	30.5

Steps/rev.	200
Step accuracy	± 5 %
Rotor inertia	2660 gcm ²
Insulation class	B 130° C
Protection	DIN 40050 IP 30
Test voltage	500 VAC
Detent torque	180 mNm

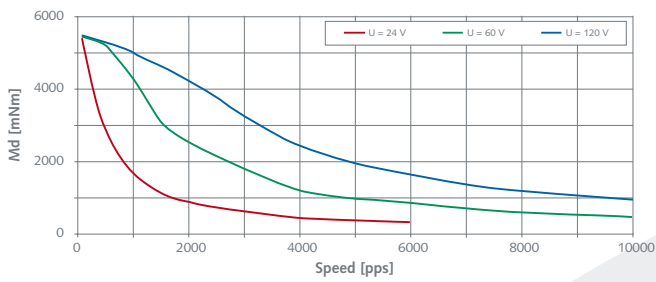
► Dimensions

Drawing not to scale. All dimensions in mm.

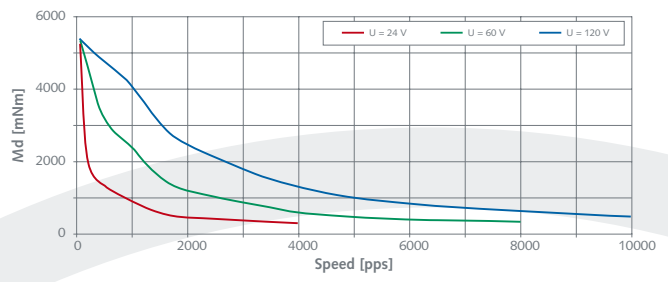


▶ Dynamic characteristics

• 6630-37-4-0.66 ▶ Phases in parallel



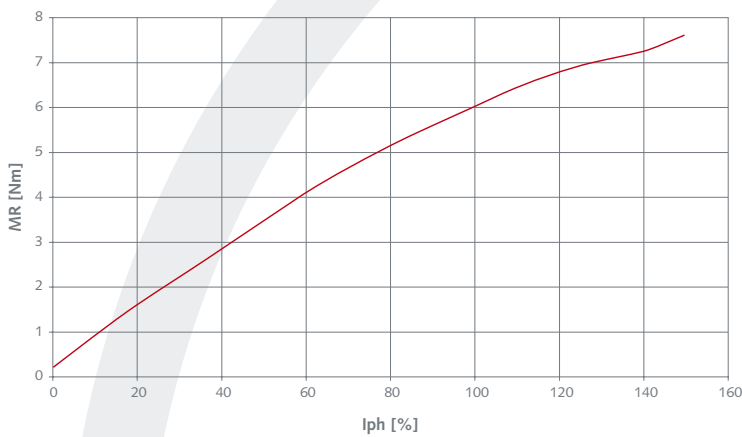
• 6630-37-4-0.66 ▶ Phases in series



[pps] = pulses per second

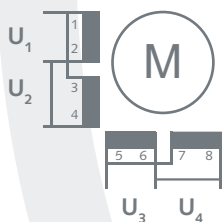
▶ Static characteristics

• 6630-37-4 Series

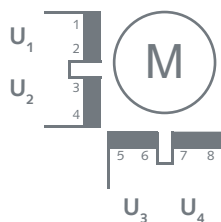


▶ Electrical Interface

▶ Phases in parallel



▶ Phases in series



- U₁ 1 green
2 orange
- U₂ 3 black-white
4 green-white
- U₃ 5 red
6 black
- U₄ 7 white
8 red-white

Special requirements upon customer specifications. Right to change reserved.

< 1.0 >

ACP&D Limited
86 Rose Hill Road,
Ashton-under-Lyne,
Lancashire,
England,
OL6 8YF.

Tel: +44 (0)161 343 1884
Fax: +44 (0)161 343 7773
e-mail: sales@acpd.co.uk
Websites: www.acpd.com &
www.acpd.co.uk

