



## ▶ Chart drives

820

- Freezer tested - 40° F
- UL Approved
- CUL Approved

This standard chart drive offers accuracy and reliability for precision measurements. The quartz movement concept provides robustness, and it was designed to operate into a temperature range of -40° F up to +180° F. The universal mounting plate makes it easy to install into all commonly use recorders.

### ▶ Technical data

Standard feature battery chart drives			
Part N°	Mounting plate type	Output shaft	Approvals
820R001	A	¼" Dia. CCW	UL
820R005	A	¼ "Dia. CW	UL
820R006	B	¼ "Dia. CCW	UL
820R007	C	Threaded CCW	UL
820R011	A	¼ "Dia. CCW	CUL

Special feature battery chart drives				
Part N°	Mounting plate type	Output shaft	Special feature	Approvals
820R018	A	¼ "Dia. CCW	96 days speed optimal for survey recordings	UL
820R025	A	¼ "Dia. CCW	High torque 72 IN-OZ	UL
820R029	A	¼ "Dia. CCW	Faster speeds 30 min - 1 hr - 2 hr - 4 hr - 6 hr - 8 hr - 12 hr - 1 d - 2 d - 3 d - 4 d - 7 d	UL

## ▶ Characteristics

Advantages				
Rotating speeds	Test: 60 min    96 min Standard: 12 hr - 1 d - 2 d - 7 d - 8 d - 14 d - 16 d - 31 d - 32 d			
Accuracy	Quartz controlled			
ON OFF	On selector			
Function indicator	Pulsating LED indicates functioning			
Rotation	Standard: Counter clockwise (CCW) Clockwise (CW) - <i>please specify</i>			
Shaft	Standard: ¼ diameter Threaded Foxboro - <i>please specify</i> No axial output shaft side play No angular backlash			
Torque	25 IN-OZ at all speeds			
Operating temperature range	-40° F to 160° F			
Corrosion protection	Sealed with gasket			
Power supply	1.5 V Alkaline "C" Size Battery			
Battery life	SPEED 60 minutes 24 hours 7-31 days	AMB. TEMP. 2 weeks 6 months 24 months	32° F 1 week 4 months 16 months	-5° F 1 week 3 months 12 months
Mounting	No additional standoffs required			
Approvals	UL Listed: class 1 Groups C & D CUL Listed: class 1 Groups C & D Intrinsically safe chart drive			
Patent	US patent 4.492.905			
Availability	SONCEBOZ CORPORATION - Ann Arbor, MI Distributors / Service Companies Throughout the US and Canada			

Special requirements upon customer specifications. Right to change reserved.

< 1.0 >

**ACP&D Limited**  
86 Rose Hill Road,  
Ashton-under-Lyne,  
Lancashire,  
England,  
OL6 8YF.

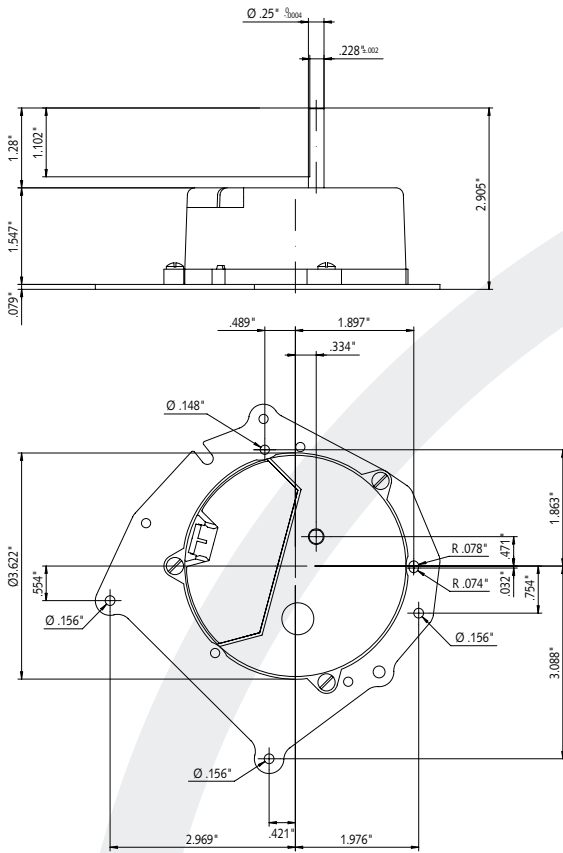
Tel: +44 (0)161 343 1884  
Fax: +44 (0)161 343 7773  
e-mail: sales@acpd.co.uk  
Websites: www.acpd.com &  
www.acpd.co.uk



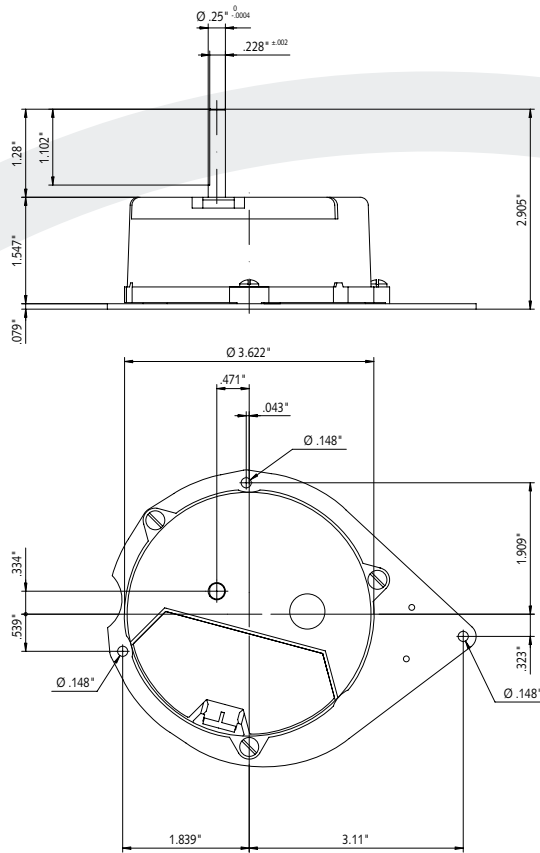
► Dimensions

Drawing not to scale. All dimensions in inches.

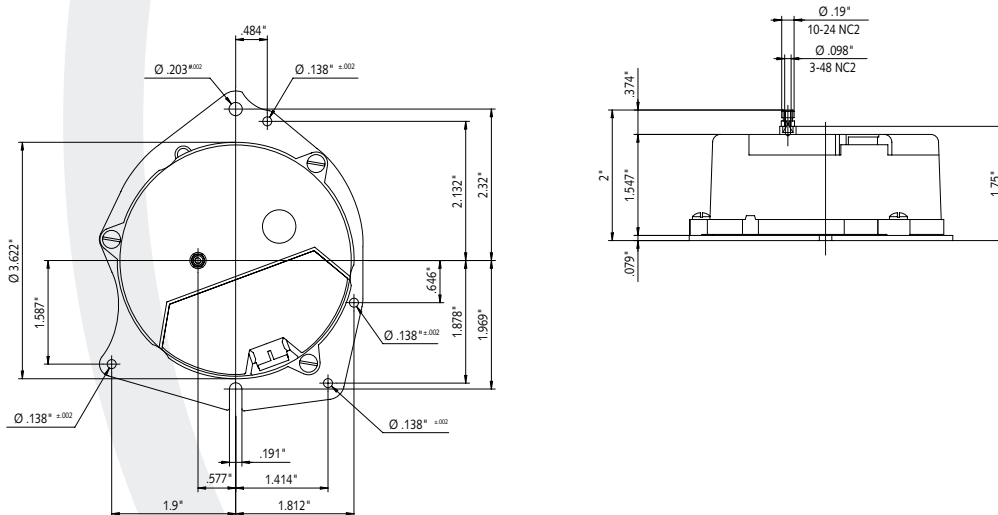
• A - Universal mounting plate



• B - Pear-shaped mounting plate



• C - Foxboro-style plate



Special requirements upon customer specifications. Right to change reserved.

< 1.0 >

ACP&D Limited  
86 Rose Hill Road,  
Ashton-under-Lyne,  
Lancashire,  
England,  
OL6 8YF.

Tel: +44 (0)161 343 1884  
Fax: +44 (0)161 343 7773  
e-mail: sales@acpd.co.uk  
Websites: www.acpd.com &  
www.acpd.co.uk



## ▶ Accurate / Reliable

Engineered and manufactured by SONCEBOZ, the timing of the CDS 820 is based on the inherent precision of the quartz movement concept. Scrupulous attention to detail resulted in a unit with no axial output shaft side play or angular backlash, which ensures an exact pen stroke.

The high quality of the CDS 820 makes it the most trouble free of any available chart drive. A 1.5 V alkaline "C" battery can be used to power the chart drive. The battery compartment is separated from the drive mechanism. A sturdy housing made of durable material and sealed by an acid resistant O-ring provides a hermetic enclosure. The CDS 820 is freezer tested to a temperature of -40° F.

## ▶ Versatile / Convenient

The CDS 820 incorporates 11 **switch selectable speeds** which make it usable for different applications. The **universal mounting plate** makes the CDS 820 fit in all major brands of recorders. No additional standoffs are needed. Retrofit/conversion can be performed easily in a shop or in the field. A ¼ diameter output shaft with flat and the threaded Foxboro shaft are available from stock. **Other shafts are available** upon request.

The field technicians requested the important new features of the CDS 820. A rugged rotating speed selector for **11 speeds**. Fast test speeds, 60 min. and 96 min. revolution. All documentation speeds to as slow as 32 days/revolution. An **"off" position** saves battery life. A pulsating red status light indicates that the unit is working. Hence a time saver, eliminating double checking of chart movement. This is particularly valuable in applications requiring slow rotational speeds. A **body pilot** is locating the CDS 820 on the mounting plate. Removing 3 screws permits exchange of chart drive. **No recalibration** is necessary

## ▶ Chart hubs are available

*"Contact face" clamps without twisting or distorting chart paper. Four starter threads results in fast tight clamping*

Part N° C1081 G004  
Foxboro-style  
Push-pull chart hub

Part N° 725 A032  
Chart hub

Part N° 725 P696  
Chart nut



Part N° 725 G224  
Chart nut

Part N° 625 G070  
Chart nut w/chain

Part N° 725 G198  
Chart hub

Part N° 725 G190  
Clip-down chart hub

Special requirements upon customer specifications. Right to change reserved.

< 1.0 >

**ACP&D Limited**  
86 Rose Hill Road,  
Ashton-under-Lyne,  
Lancashire,  
England,  
OL6 8YF.

Tel: +44 (0)161 343 1884  
Fax: +44 (0)161 343 7773  
e-mail: sales@acpd.co.uk  
Websites: www.acpd.com &  
www.acpd.co.uk

