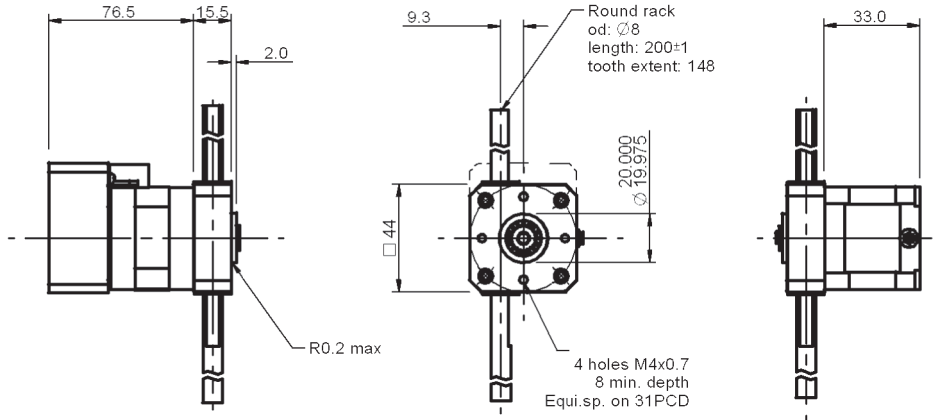




Associated Products

All dimensions in mm
General tolerances: $\pm 0.13\text{mm}$



Reliance Cool Muscle Motor

Hybrid Stepper Motor

Part number selection table

Part Number	Motor	Pinion Material	Axial Load (N)	Momentary Load (N)	Travel Range (mm)
RCMRAK17-8-200-C	Reliance Cool Muscle Motor ¹	St Steel 304, 440C	25	50	100
RRAK17-8-200	Hybrid Stepper Motor ²		25	50	

¹ Reliance Cool Muscle motor option, see page** for motor details (if a pulse interface is required change -C to a -P)

² Hybrid stepper motor option, see page** for motor details

Technical information

	RCMRAK17 Reliance Cool Muscle	RRAK17 Reliance Stepper
Resolution	0.00085mm with 50000steps/rev	0.19mm with 200 steps/rev
Max Speed	mm/sec	500
Temperature range	Between 0°C and 40°C	Between -20°C and +50°C
Repeatability	mm	0.025
Side Wobble (fully extended)	mm	± 0.29
Life Time	5 million cycles minimum	
Backlash	mm	0.08 linear movement
Rack material	304 grade, 440C stainless steel	
Lubrication	PTFE based grease	