

# General Specifications – Model CD100

## Performance

### standard motor

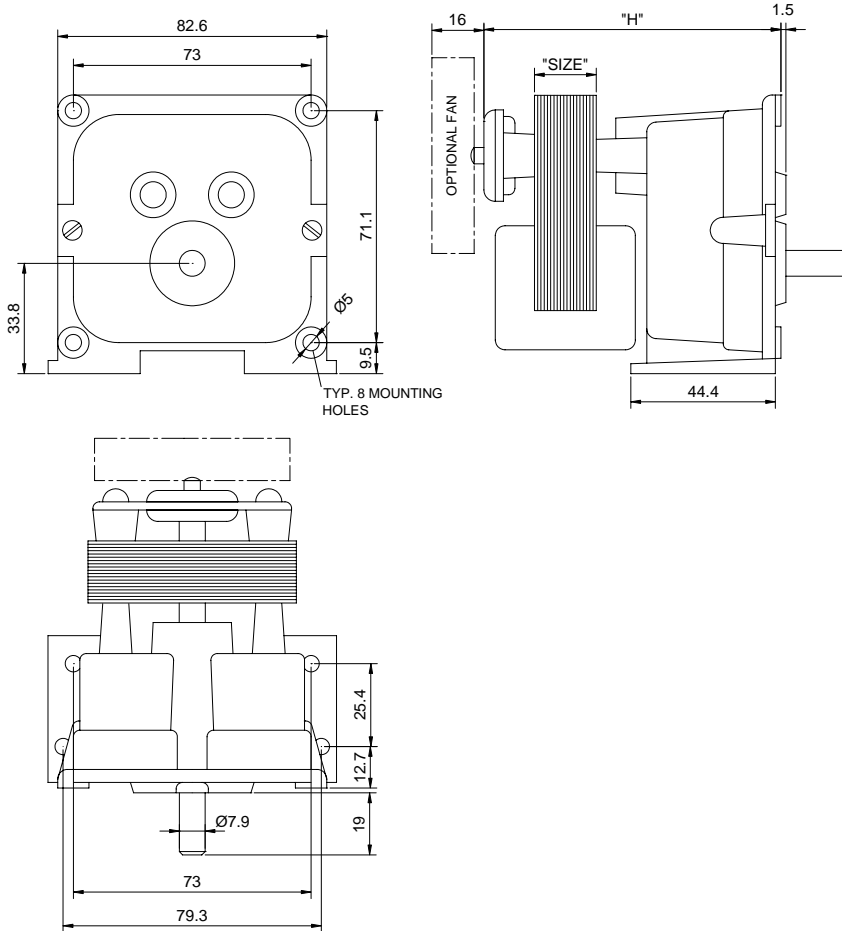
Size	Power [ Watts ]	Current [ Amps ]
0.75"	52	0.22
1.125"	55	0.23
1.5"	81	0.34
2.0"	96	0.40

### high torque unit\*

Size	Power [ Watts ]	Current [ Amps ]
1.5"	94	0.39

\* High torque units are normally fitted with  $\varnothing 2.5$ " fan.

## Dimensions [mm]



## Approximate Starting Torque [Nm]

NO LOAD rpm	HT DUAL					
	0.75"	1.125"	1.5"	1.5"	1.5"	2.0"
* 1	10.7	14.7	22.6			33.9
1.5						
2	6.8					
2.8						
3	5.8	8.8	15.8	17.5	28.8	17.6
4						
5						
6	3.2	4.7	7.4	8.4	16.9	9.0
8						
10	2.1	3.3	5.4	6.0		6.1
18						
20	1.0	1.6	2.5	3.2		3.2
** 30	0.76		2.0	2.4		2.4
40						
50	0.42	0.79	1.2	1.5		1.4
63						
80	0.23	0.40	0.73	0.85		0.90
90						
103		0.28	0.51	0.62		0.56
125						
152						

\* 1-20 rpm with optional 1/2" or 5/16" shaft

\*\* 30-152 rpm with only 5/16" shaft

### Overall length "H" dimension [mm] \*\*

Size	Single Motor	Dual or reversing motor
0.75"	92	140
1.125"	102	158
1.5"	111	-
2.0"	124	-

\*\* Add 16mm for units fitted with a fan.